

USL 15LED: For universal application with hinged bracket

USL 35LED: Special variant for sterile environments with adapter collar for fitting over flanges etc.

PROTECTION CLASS:

Dust- and waterjet proof,
IP 65 according to EN 60 529/DIN VDE 0470
Part 1

AMBIENT TEMPERATURE:

max. 40°C

OPERATING VOLTAGE:

12 V/24 V AC/DC
230 V AC

TECHNICAL LIGHTING DATA:

- Lightcolour:
12 V/24 V AC/DC: 2700K
230 V AC: 4000K
- Luminous flux:
230 lm at 4.5 W
400 lm at 5.5 W
- Beam angle:
36° at 4.5 W
25° at 5.5 W

POWER SUPPLIES:

for 230 V/24 V AC are available on request

APPLICATION:

For mounting on sight glass fittings. The universally applicable Lumistar USL 15LED sight glass luminaire is suitable for combining sight and light glass (1-flange version) as well as for separate arrangement (2-flange version).

The Lumistar USL 35LED can be used as a light glass variant.

Glare-free illumination; suitable for circular sight glass fittings similar to DIN 28120/DIN 28121, for screw-type sight glass fittings similar to DIN 11851 and for METAGLAS® and BioControl fittings.

It is ideal for illuminating laboratory mixers and filters as well as the interiors of tanks, agitators, separators, pipelines and other, usually closed, vessels in non-explosive operating environments.

OPERATING CONDITIONS:

Independent of the internal pressure/vacuum in the vessel.

Under no circumstances should a sight glass luminaire be used on its own to close a vessel port or as a replacement for the mating flange or instead of the complete sight glass flange assembly.

INSTALLATION:

USL 15LED: The luminaire is attached to the mating flange of the circular sight glass fitting or the visual flow indicator with a hinged bracket, or fastened to the grooved nut on screw-type sight glass fittings.

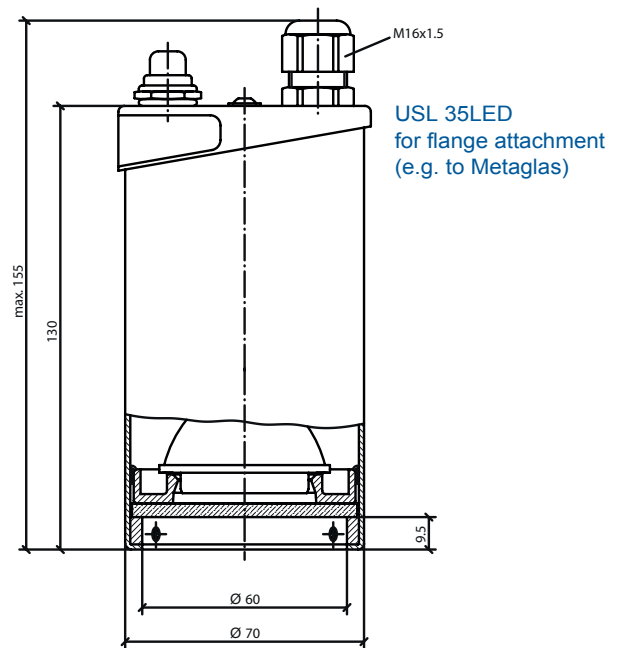
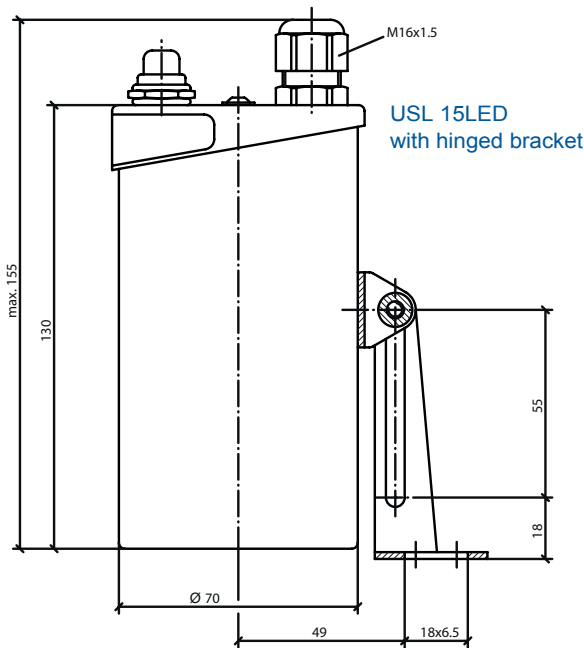
USL 35LED: The luminaire is mounted over an adapter collar (e.g. attachment to Metaglas).

NOMINAL SIZES:

- a) Circular sight glass fitting similar to DIN 28120: DN 50
- b) Circular sight glass fitting similar to DIN 28121: DN 80
- c) Screw-type sight glass fittings similar to DIN 11851: DN 50

MOUNTING PARTS FOR USL 15LED:

The luminaire mounting (hinged bracket) is included in the scope of supply. The flange collar for mounting on screw-type sight glass fittings of DN 65 and greater should be ordered separately.



Type	Nominal voltage	Push button	LED	Timer	Socket	Part no. USL 15LED	Part no. USL 35LED
(12 V) 4 W	12 V	without	12 V 4 W	without	GU5.3	3541.432.00	—
(24 V) 4.5 W	24 V	with	12 V 4 W	with	GU5.3	3541.428.00	—
(24 V) 4.5 W	24 V	with	12 V 4 W	without	GU5.3	3541.429.00	3541.434.00
(24 V) 4.5 W	24 V	without	12 V 4 W	without	GU5.3	3541.430.00	3541.427.00
(230 V) 5.5 W	230 V	with	230 V 5.5 W	without	GZ10	3541.426.00	3541.437.00
(230 V) 5.5 W	230 V	without	230 V 5.5 W	without	GZ10	3541.431.00	3541.438.00
(24 V) 4.5 W	24 V	with switch	12 V 4 W	without	GU5.3	3541.457.00	—
(230 V) 5.5 W	230 V	with switch	230 V 5.5 W	without	GZ10	3541.455.00	—

Other versions available on request.

CONNECTING CABLE:

3 m (3 x 0.75 mm²) factory-fitted, other lengths available on request

WEIGHT: 0.85 kg

Materials	
Luminaire body and cover	Stainless steel 1.4404
Fastening parts (hinged bracket and flange collar)	Stainless steel 1.4301

Accessories (only for USL 15LED):	Part no.
Flange collar DN 65 (no hinged bracket), Ø 80 mm	1356.010.00
Flange collar DN 80 (no hinged bracket), Ø 94 mm	1356.029.00

Order specifications (example):
Lumistar luminaire USL 15LED, 24 V, 4.5 W, with push-button, part no. 3541.429.00